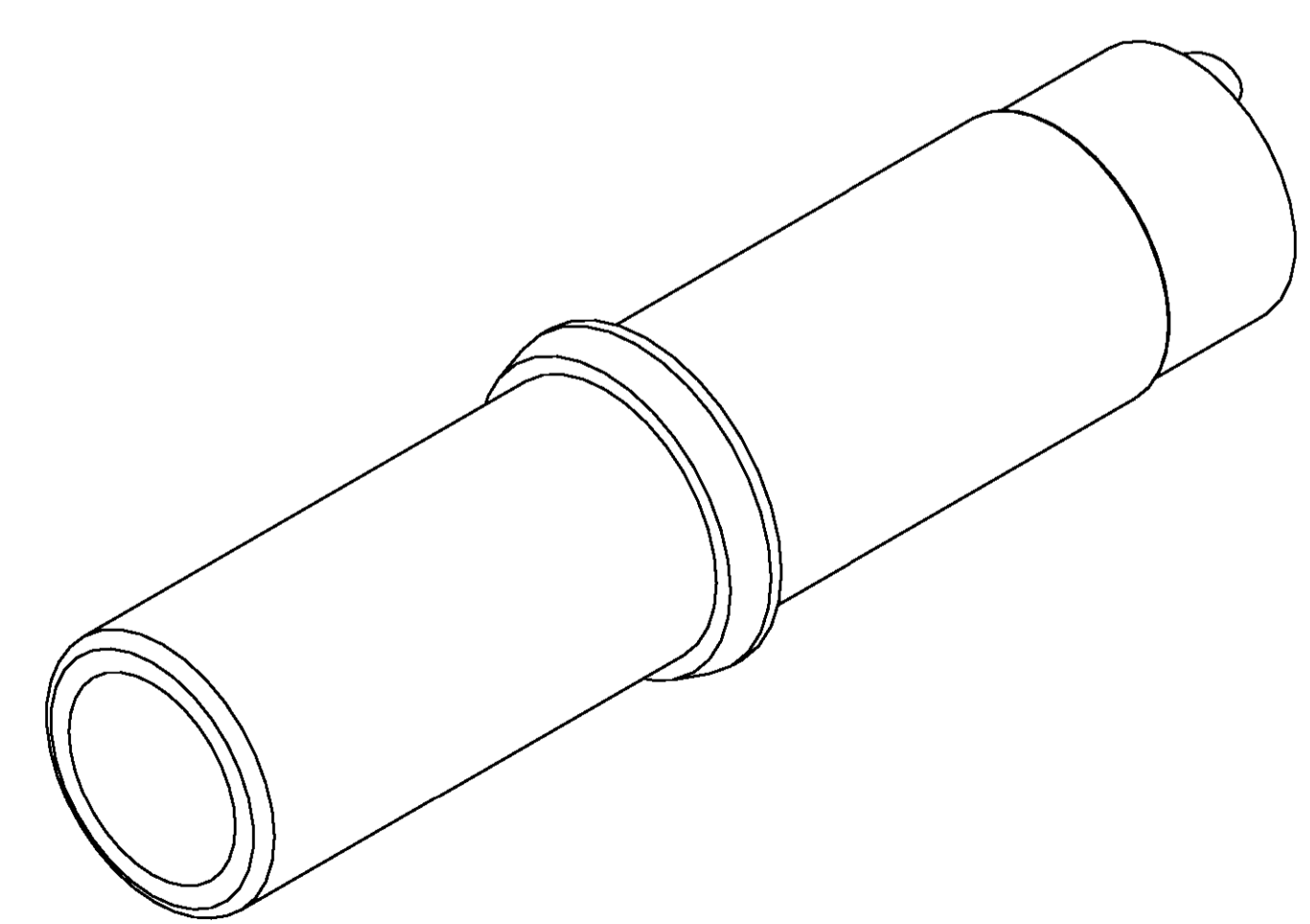
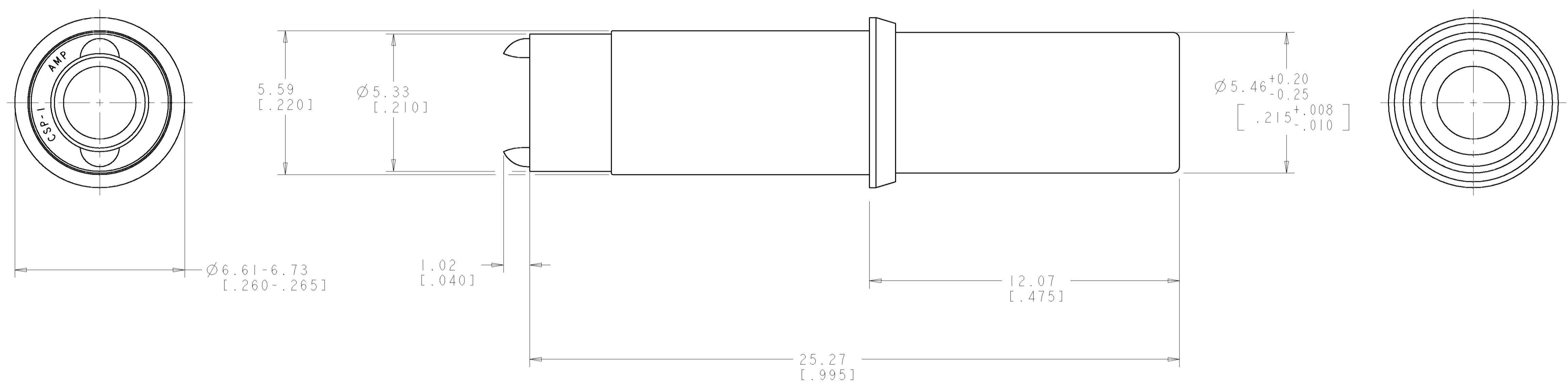


LOC	DIST	REVISIONS			
P	LTR	DESCRIPTION	DATE	DWN	APVD
C		REVISED PER 0638-0341-02	14-APR-03	KW	DC

1. MATES WITH CAP 480350, 480351, OR 480401.
 MATERIAL - NYLON, UL94V-2, WEATHER RESISTANT, BLACK.



SCALE 8:1

METRIC

1-480400-0
 PART NUMBER

<small>THE DIMENSIONS TO WHICH THIS DRAWING IS REFERRED ARE THE DIMENSIONS OF THE PART AS MANUFACTURED. THE DIMENSIONS TO WHICH THIS DRAWING IS REFERRED ARE THE DIMENSIONS OF THE PART AS MANUFACTURED. THE DIMENSIONS TO WHICH THIS DRAWING IS REFERRED ARE THE DIMENSIONS OF THE PART AS MANUFACTURED.</small>		DWN: B. WHITAKER 14-APR-2003 CHK: D. COLEY 14-APR-2003 APVD: D. COLEY 14-APR-2003	tyco Electronics Tyco Electronics Harrisburg, PA 17105-3608
DIMENSIONS: mm [INCHES]	TOLERANCES UNLESS OTHERWISE SPECIFIED: 0 PLC ± 1 PLC ± 2 PLC ±0.13 (.005) 3 PLC ± 4 PLC ± ANGLES ±30°	PRODUCT SPEC APPLICATION SPEC WEIGHT FINISH	NAME: SINGLE CIRCUIT MATE-N-LOK™ PLUG SIZE: A 00779 C=480400 RESTRICTED TO: - SCALE: 10:1 SHEET 1 OF 1 REV C
MATERIAL: -		CUSTOMER DRAWING	